



## MM1608 SERIES ~ USB3.0 Common Mode Chokes



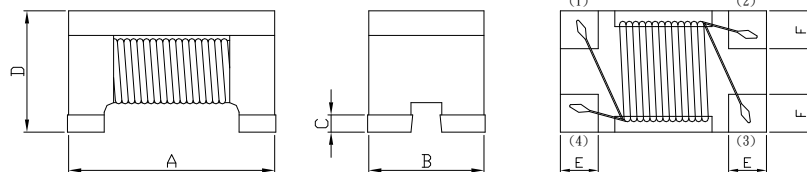
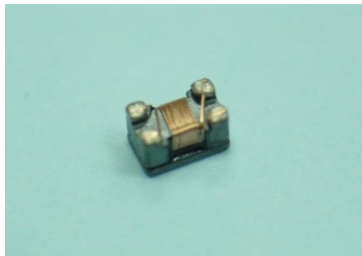
### FEATURES

1. Excellent solder ability and resistance to soldering heat..
2. H Suitable for flow and reflow soldering.
3. Eliminates virtually all **common mode noise**
4. Supports **data rates up to 4.8 Gbit/s**
5. Optimized for **USB 3.0, HDMI, IEEE 1394** and LVDS applications
6. **RoHS-compliant.** 260°C compatible .

### PART NUMBERING SYSTEM

<b>MM</b>	<b>1 6 0 8</b>	—	<b>6 0 0</b>	—	<b>L F</b>
TYPE	DIMENSIONS		IMPEDANCE		LEAD FREE

### SHAPES AND DIMENSIONS



UNIT : mm

A=1.60±0.1 B=0.8±0.1 C=0.1±0.1 D=1.1±0.1 E = 0.25 Typ. F=0.33 Typ.

### SPECIFICATION TABLE

PART NUMBER	IMPEDANCE (at 100MHz/20 degree C) (Ω)	RATED CURRENT (mA)	DCR (Ω) (Max)	RATED VOLTAGE (Vdc)	INSULATION RESISTANCE (MΩ)	WITHSTAND VOLTAGE (Vdc)
MM1608-670-LF	67±25%	300	0.30	50	10 min.	125
MM1608-900-LF	90±25%	300	0.30	50	10 min.	125
MM1608-121-LF	120±25%	250	0.36	50	10 min.	125
MM1608-161-LF	160±25%	200	0.40	50	10 min.	125
MM1608-221-LF	220±25%	200	0.42	50	10 min.	125

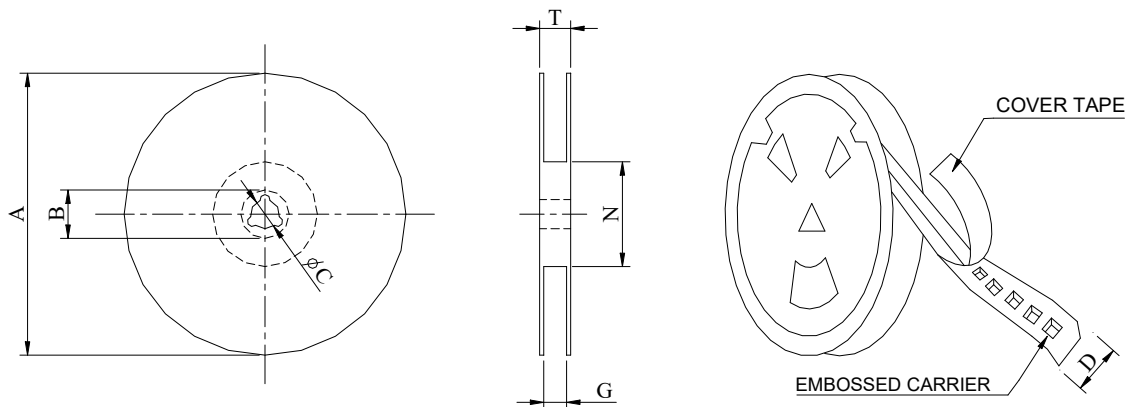
Operating Temperature Range : -40°C to 85°C



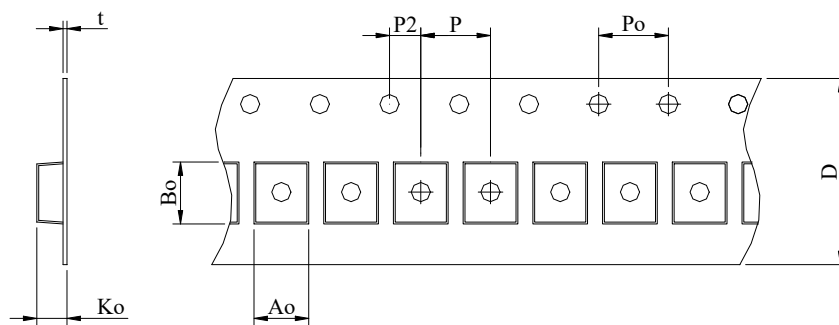
## MM1608 SERIES ~ USB3.0 Common Mode Chokes



### PACKAGING SPECIFICATION



\*CARRIER TAPE WIDTH : D



SERIES	STAYLE	Q'TY (PCS)	DIMENSIONS (m/m)								
			A	Ao	Bo	Ko	t	N	P	Po	T
MM1608	178	2000	178	1.05	1.85	1.15	0.23	60	4	4	12